

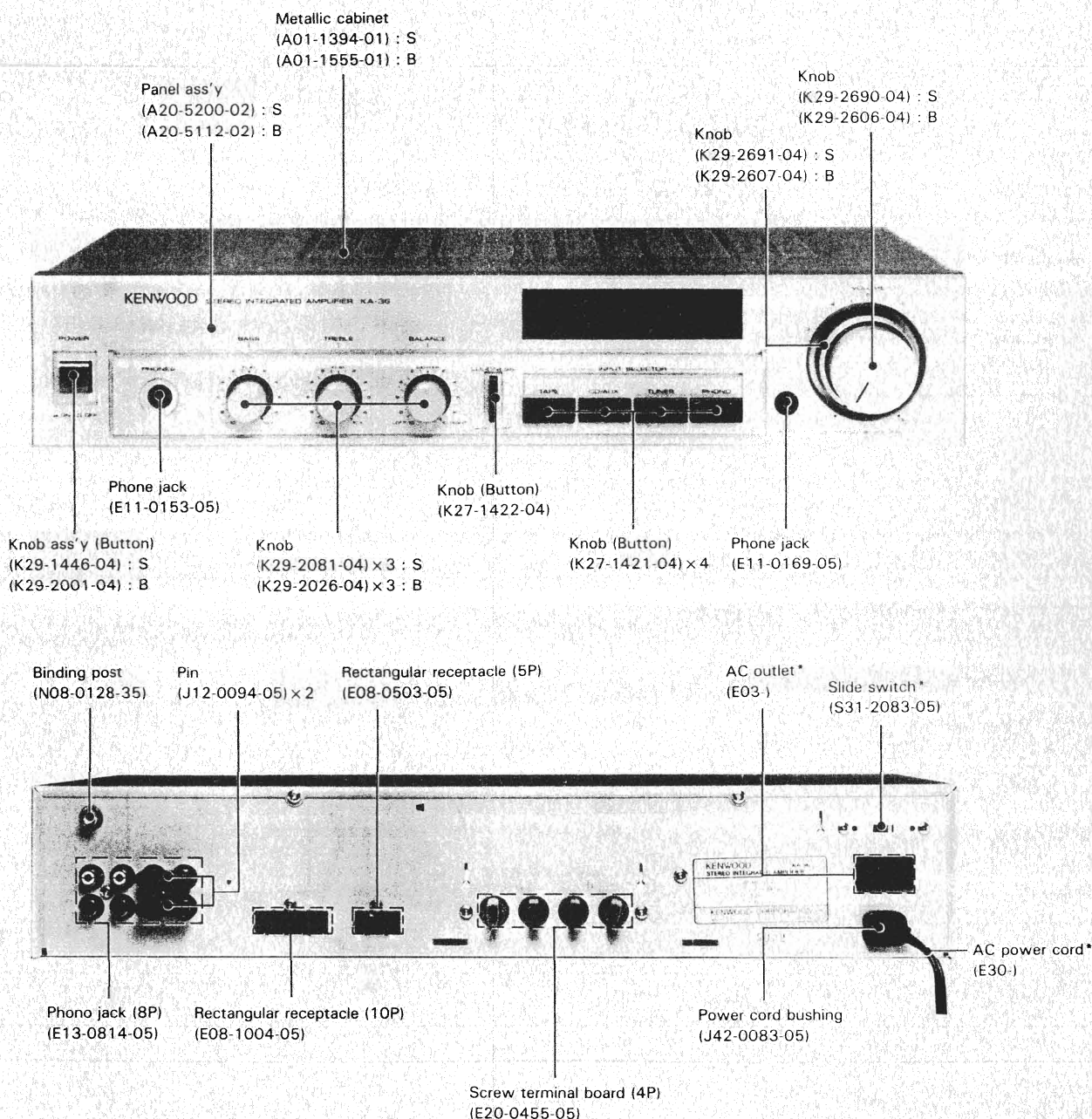
STEREO INTEGRATED AMPLIFIER

KA-36

SERVICE MANUAL

KENWOOD

©1987-3 PRINTED IN JAPAN
B51-3199-00(T)1472



Note: When doing service of KT-36, KT-36L, or KX-36W be sure to have the customer bring the KA-36 or use the DC power supply.

* Refer to parts list on page 14.
Photo is KA-36 (Silver).
S: Silver, B: Black.

CONTENTS

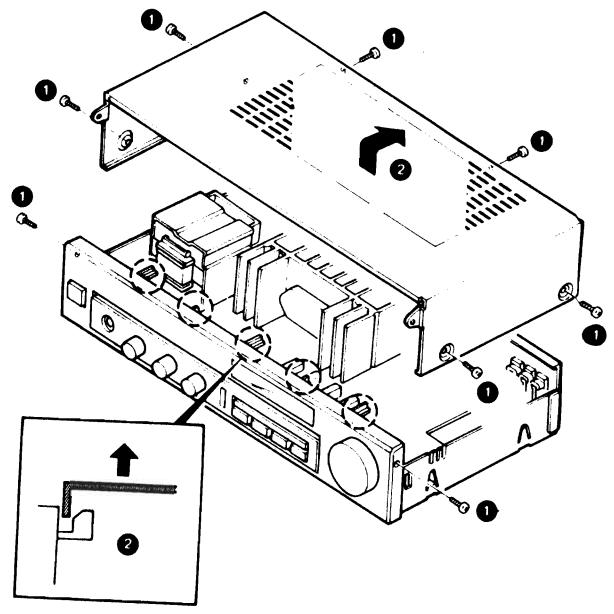
DISASSEMBLY FOR REPAIR.....	2	SCHEMATIC DIAGRAM.....	11
BLOCK & LEVEL DIAGRAM.....	4	EXPLODED VIEW.....	13
CIRCUIT DESCRIPTION.....	4	PARTS LIST.....	14
P.C. BOARD.....	5	SPECIFICATIONS.....	Back cover

DISASSEMBLY FOR REPAIR

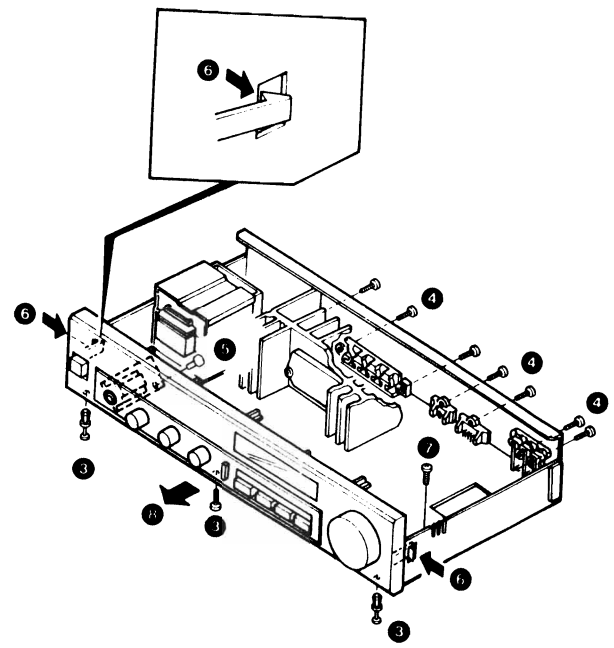
DISASSEMBLY FOR REPAIR

1. Remove 8 screws from the metallic cabinet and lift the metallic cabinet up and slide it rearward (1, 2).

Note: Be aware that the metallic cabinet is hooked to the projections on the panel.

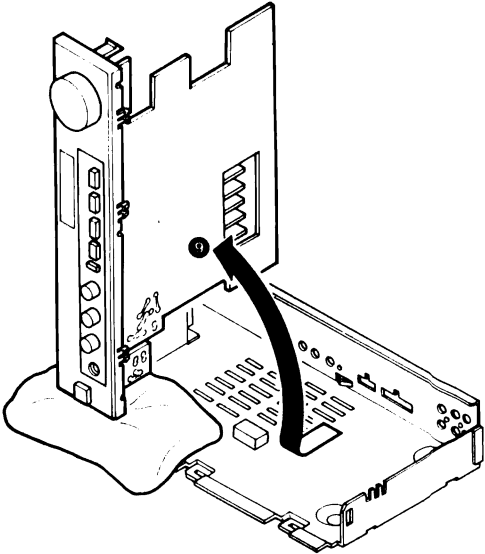


2. Remove 1 screw and two push rivets at the bottom of the panel (3) and 7 screws at the rear panel (4).
3. Remove 1 screw retaining the phone jack pcb (5).
4. Push the pawls at both sides of the panel and release from the hole (6).
5. Remove 1 screw at the pcb (7).
6. The panel with pc boards attached, can be pulled forward (8).

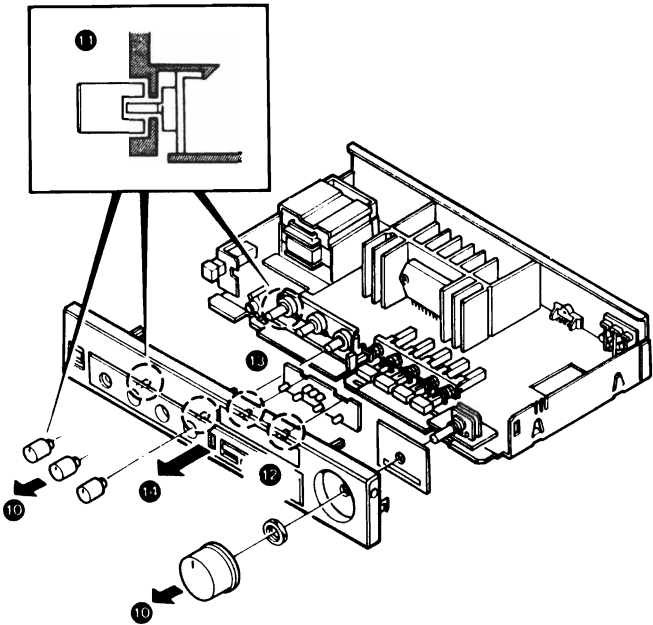


DISASSEMBLY FOR REPAIR

6. Place a cloth, or something equivalent to avoid damages to the side of the panel.
7. Turn the panel to the upright position and place the pc board on the rear panel as shown (9).

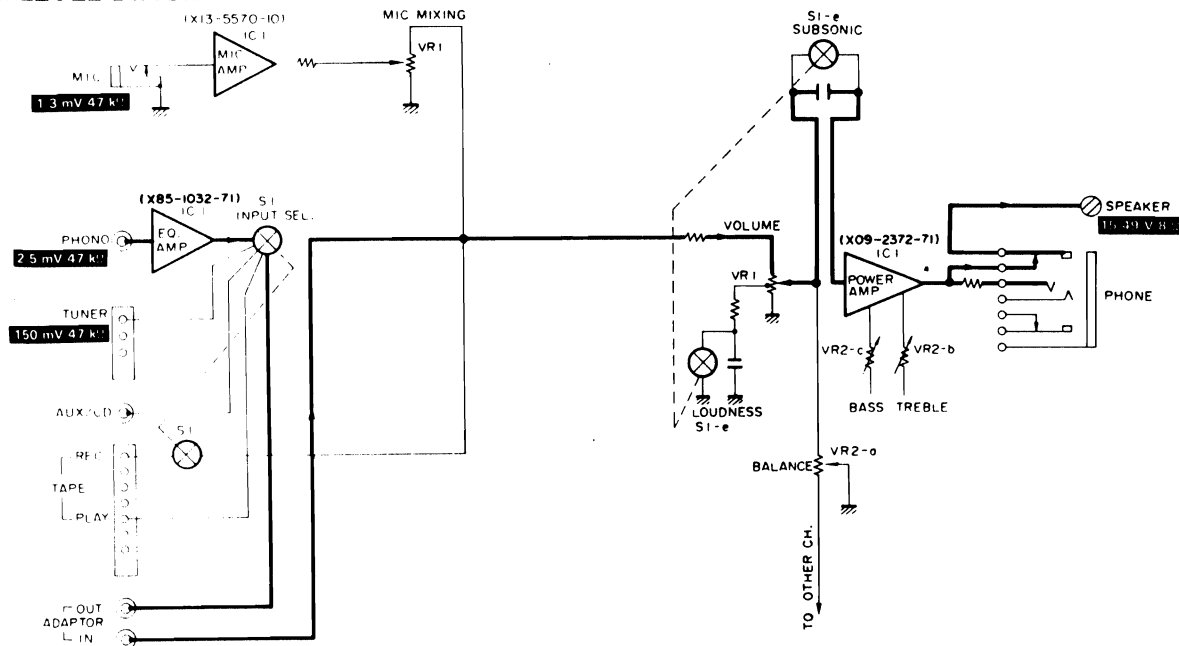


8. Pull off BASS, TREBLE, BALANCE and VOLUME knobs (10).
9. Release the hook on the rear side of the panel from the potentiometer mounting hardware (11).
10. Remove the hexagonal nut from the VOLUME potentiometer (12) and release the hook from the LED pc board (13).
11. Pull the panel forward (14).



BLOCK & LEVEL DIAGRAM/CIRCUIT DESCRIPTION

BLOCK & LEVEL DIAGRAM



DESCRIPTION OF COMPONENTS

Audio unit (X09-2372-71)

Component	Application/function	Operation/condition/compatibility
IC1	Power amplifier	
Q1	AVR	Compatible with 2SC2167 or 2SD330 (Required insulation plate and insulating bushing when attaching).
Q2	Discharge EQ power supply when power OFF	Compatible with 2SC2320 (E, F).
Q3	Muting when power ON/OFF	
D1-4, 6	Various kinds display	
D8-11	Rectifier	
D12	Rectifier for external power supply	
D16	Rectifier for LEDs	Compatible with DSM1A1 or W06B.
D17-19	Muting control when power ON/OFF	
D20	AVR for external power supply	Compatible with RD16E (B2), RD16J (B2), RD16JS (B2).
D21, 22	EQ and MIC AVR	Compatible with RD15E (B), RD15J (B), RD15JS (B).
D23	Muting control when power ON/OFF	Compatible with 1S2076A.

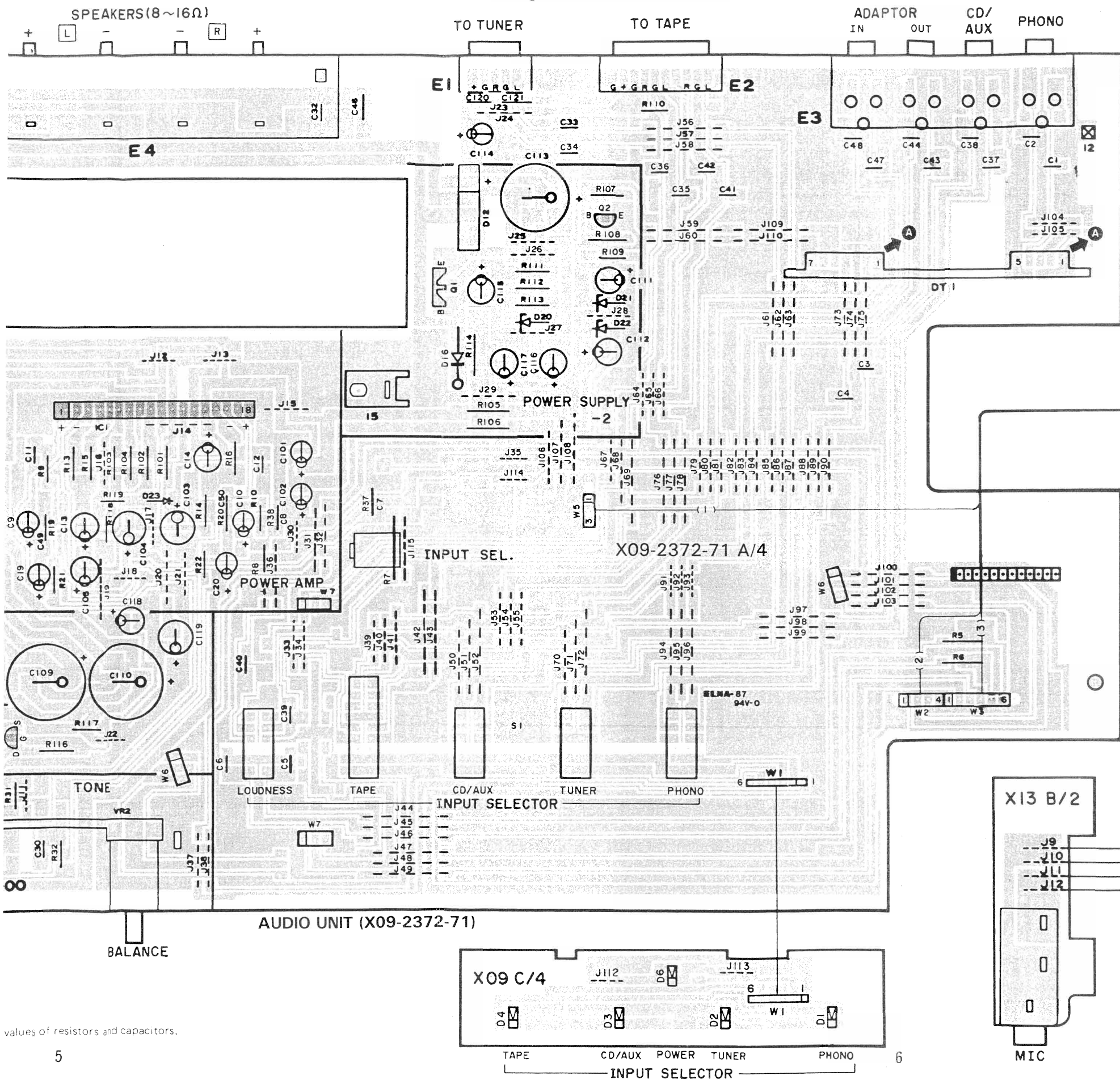
EQ amp unit (X85-1032-71)

Component	Application/function	Operation/condition/compatibility
IC1	EQ amplifier	For Phono.

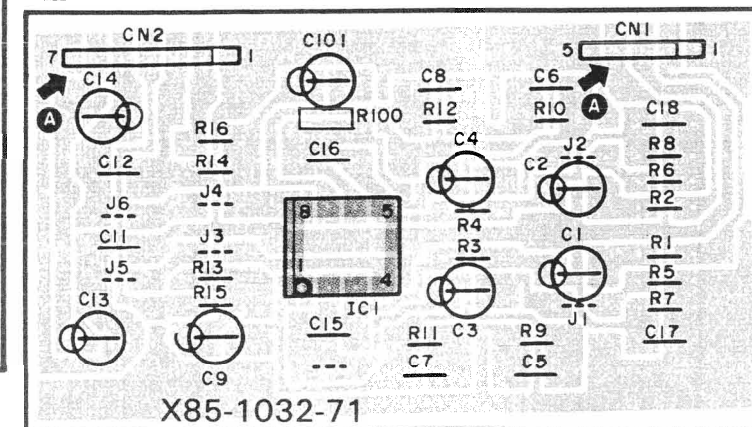
Mic amp unit (X13-5570-10)

Component	Application/function	Operation/condition/compatibility
IC1	MIC amplifier	For Microphone.

P.C. BOARD (Component side view)



PREAMPLIFIER UNIT (X85-1032-71)



X09-2372-71

IC1

11	38V
14	-36V

Q1

E	16V
C	-
B	15.5V

Q2

E	0V
C	4V
B	-

Q3

G	-12V
S	2V
D	4.8V

X85-1032-71

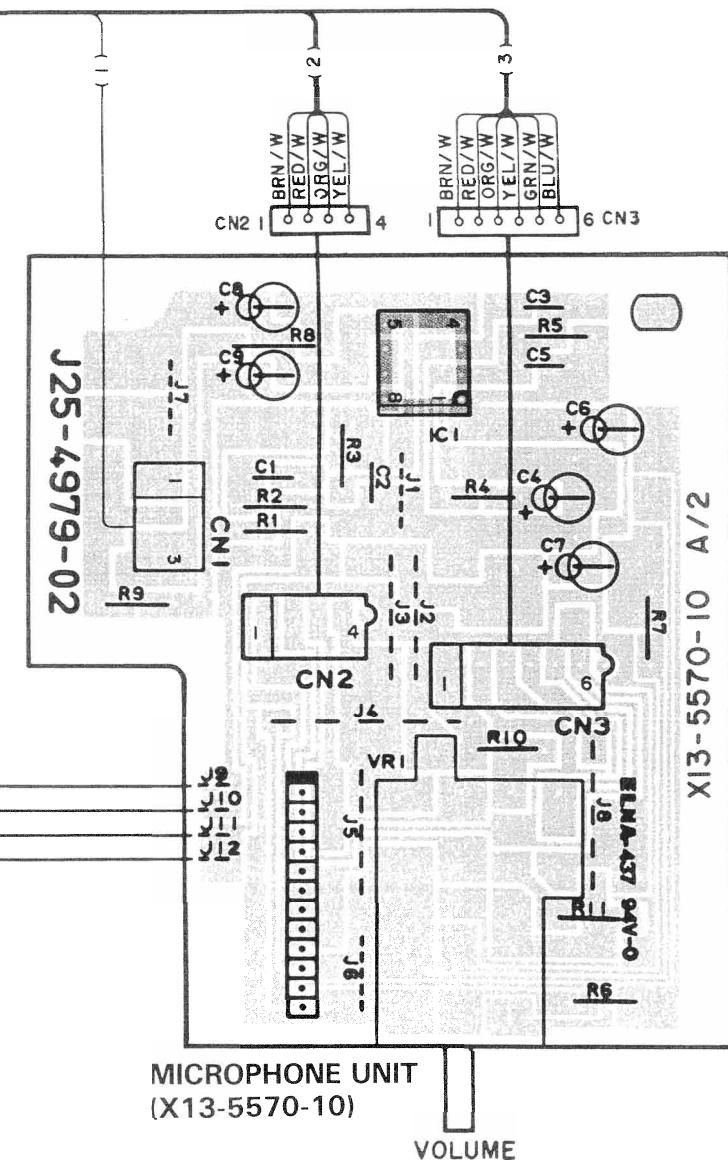
IC1

4	-14V
8	14V

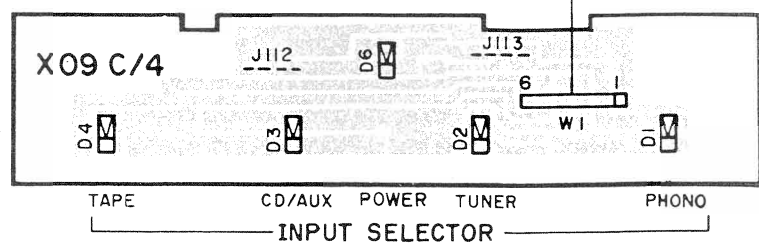
X13-5570-10

IC1

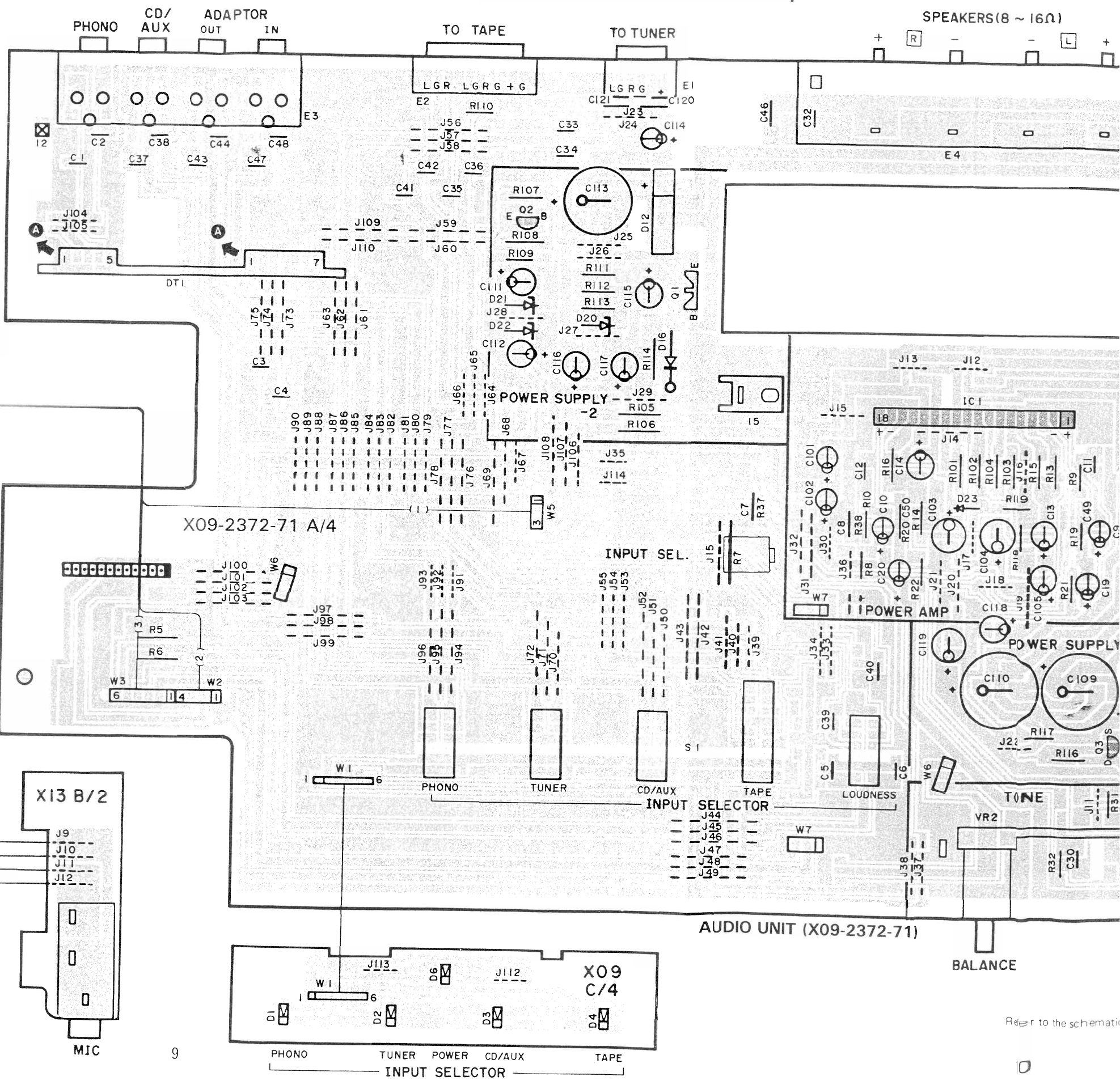
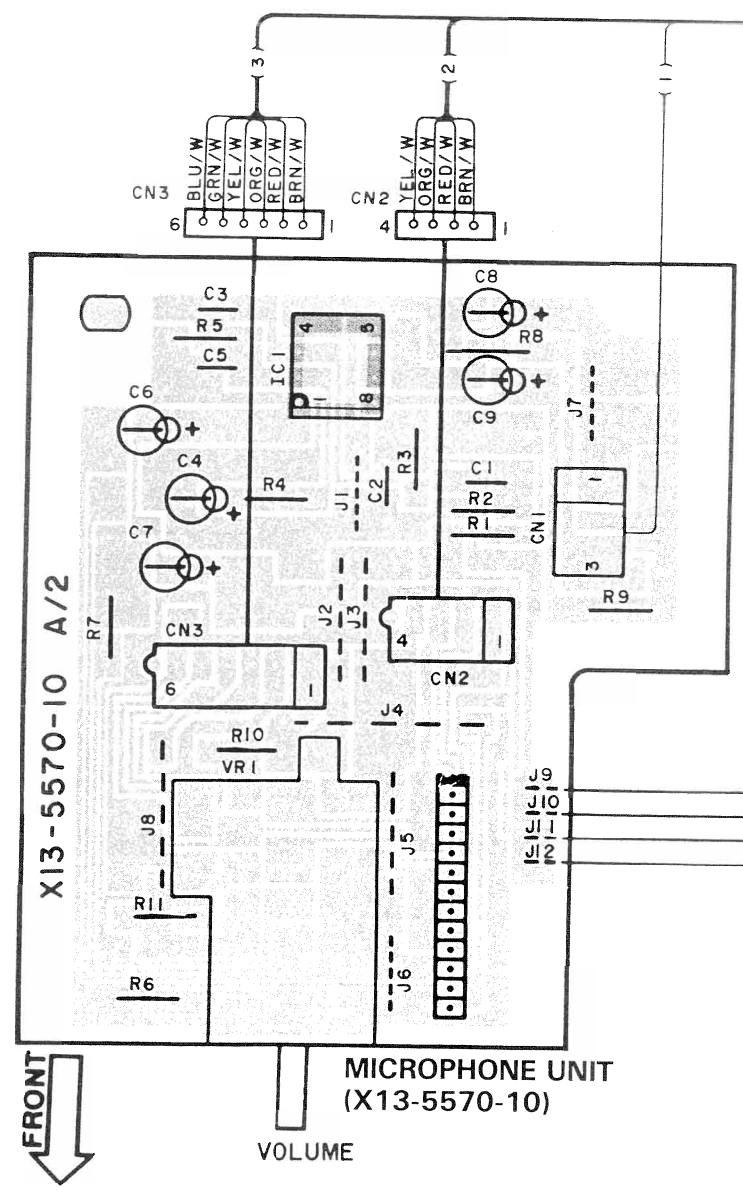
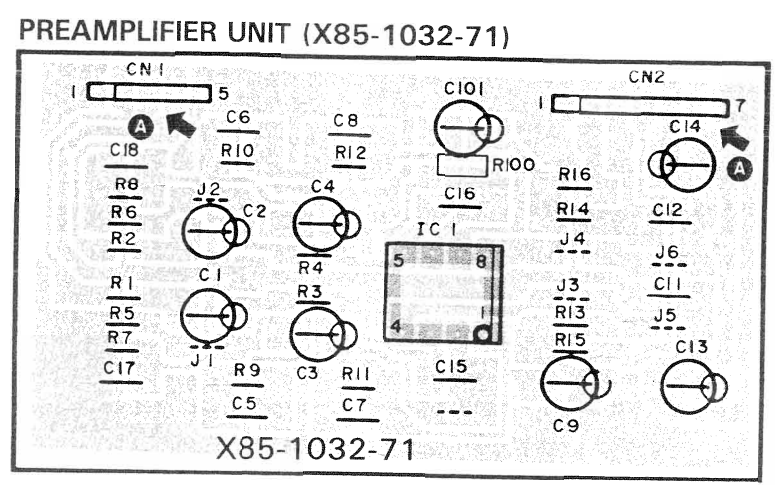
1	0V
2	0V
3	0V
4	-14V



values of resistors and capacitors.



P.C. BOARD (Foil side view)



X09-2372-71

IC1

11	38V
14	-36V

Q1

E	16V
C	-
B	16.5V

Q2

E	0V
C	14V
B	-

Q3

G	-22V
S	0V
D	4.8V

X85-1032-71

IC1

4	-14V
8	14V

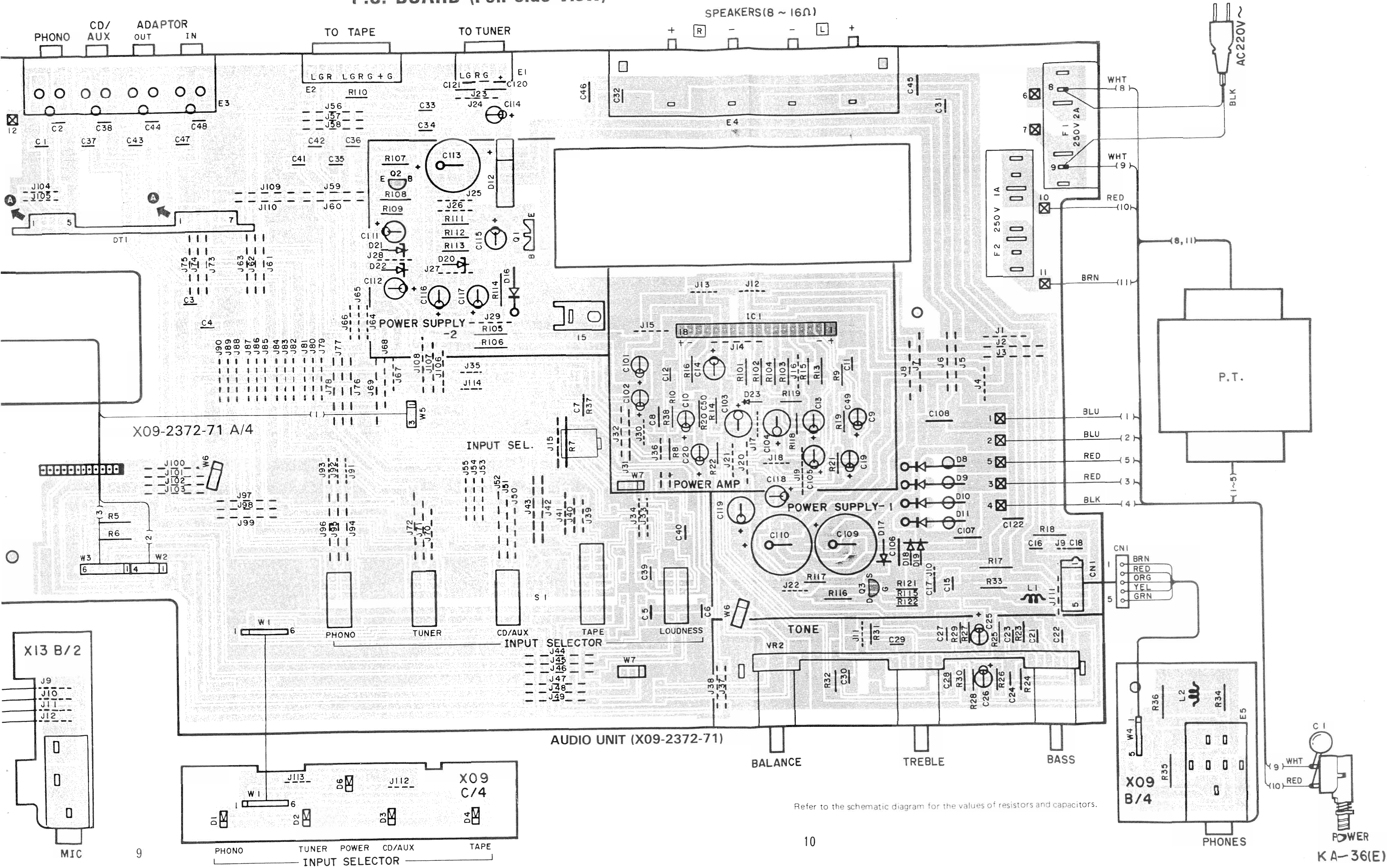
X13-5570-10

IC1

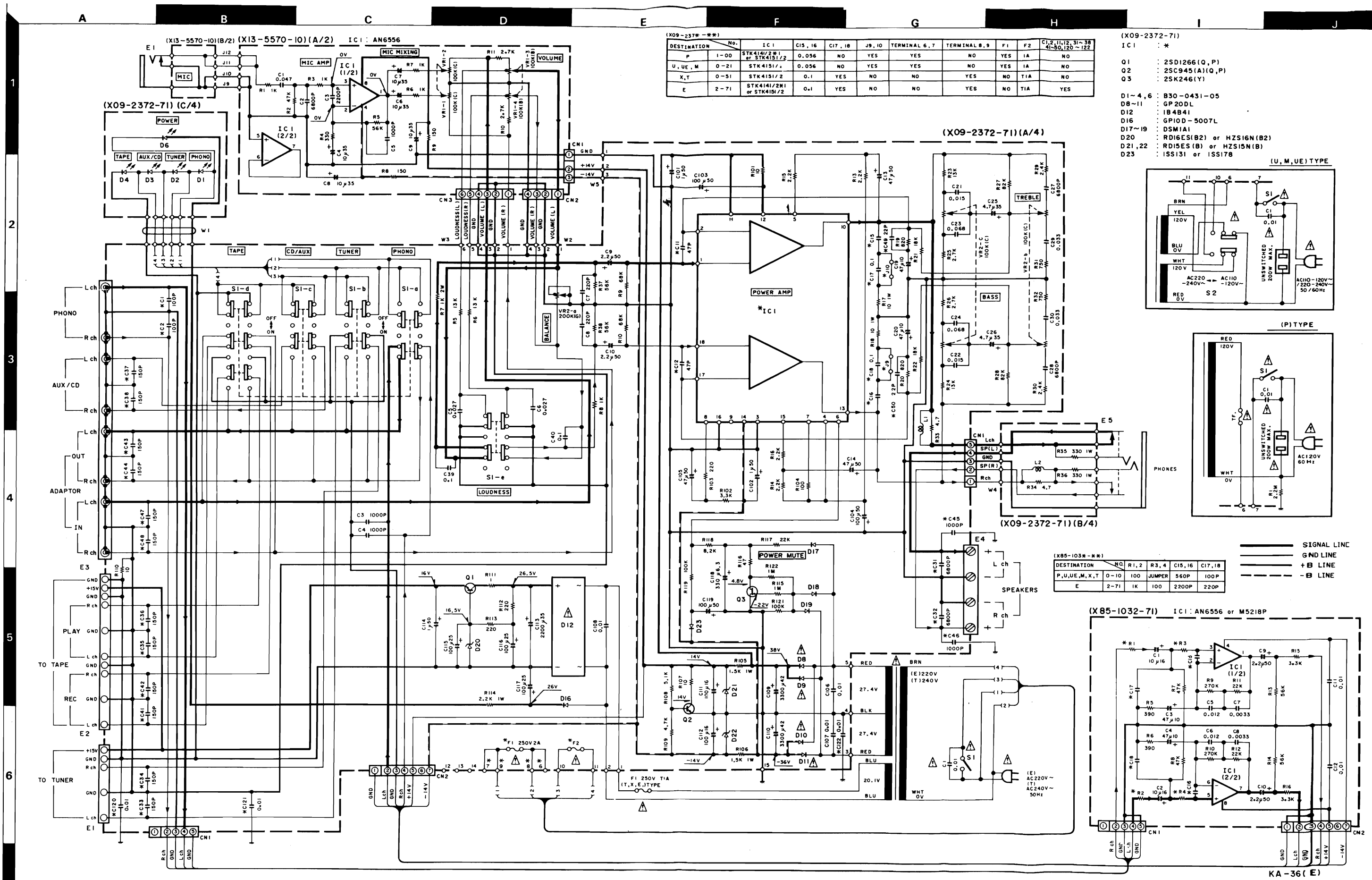
1	0V
2	0V
3	0V
4	-14V

Refer to the schematic

P.C. BOARD (Foil side view)



Refer to the schematic diagram for the values of resistors and capacitors.



(X09-2372-71) (C/4)

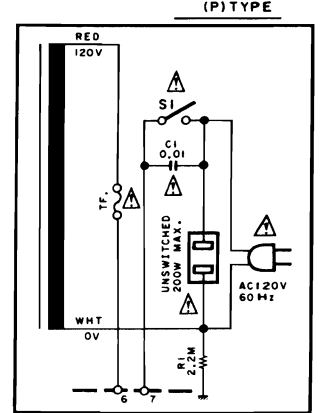
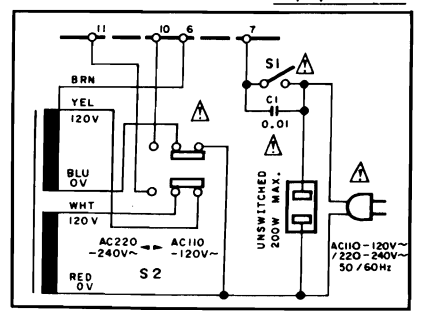
DESTINATION	No.	IC 1	C15, 16	C17, 18	J9, 10	TERMINAL 6, 7	TERMINAL 8, 9	F1	F2	C1, 2, 11, 12, 31-38
P	1-00	STK4141/2*1 or STK4151/2	0.056	NO	YES	YES	NO	YES	IA	NO
U, UE, M	0-21	STK4151/2	0.056	NO	YES	YES	NO	YES	IA	NO
X, T	0-51	STK4151/2	0.1	YES	NO	NO	YES	NO	T1A	NO
E	2-71	STK4141/2*1 or STK4151/2	0.1	YES	NO	NO	YES	NO	T1A	YES

(X09-2372-71)

IC 1 : *

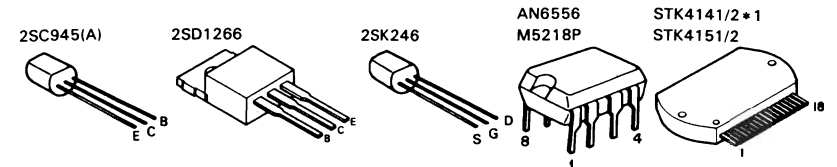
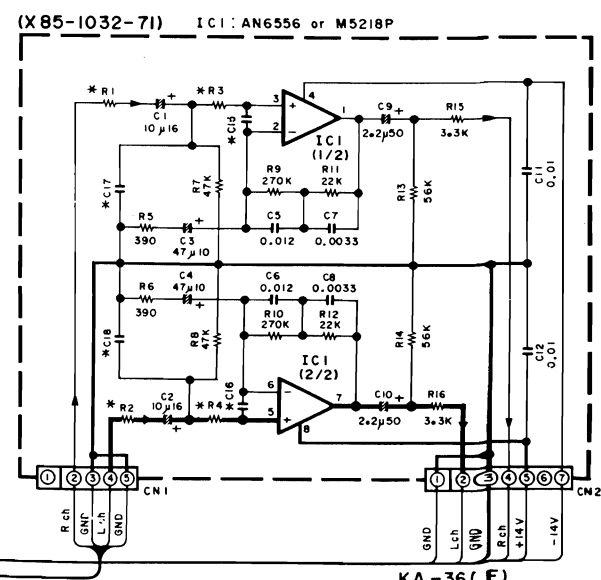
Q1 : 2SD1266 (Q, P)
 Q2 : 2SC945 (A) (Q, P)
 Q3 : 2SK246 (Y)

D1~4, 6 : B30-0431-05
 D8~11 : GP20DL
 D12 : 1B4B41
 D16 : GP10D-5007L
 D17~19 : DSM1A1
 D20 : RD16S1(B2) or HZS16N (B2)
 D21, 22 : RD15ES (B) or HZS15N (B)
 D23 : ISS131 or ISS178



(X85-103K-*)

DESTINATION	No.	R1, 2	R3, 4	C15, 16	C17, 18
P, U, UE, M, X, T	0-10	100	JUMPER	560P	100P
E	2-71	1K	100	2200P	220P



Die angegebenen Gleichspannungswerte wurden mit einem hochohmigen Spannungsmesser gemessen. Dabei schwanken die Meßwerte aufgrund von Unterschieden zwischen einzelnen Instrumenten oder Geräten u.U. geringfügig.

DC voltages are as measured with a high impedance voltmeter. Values may vary slightly due to variations between individual instruments or/and units.

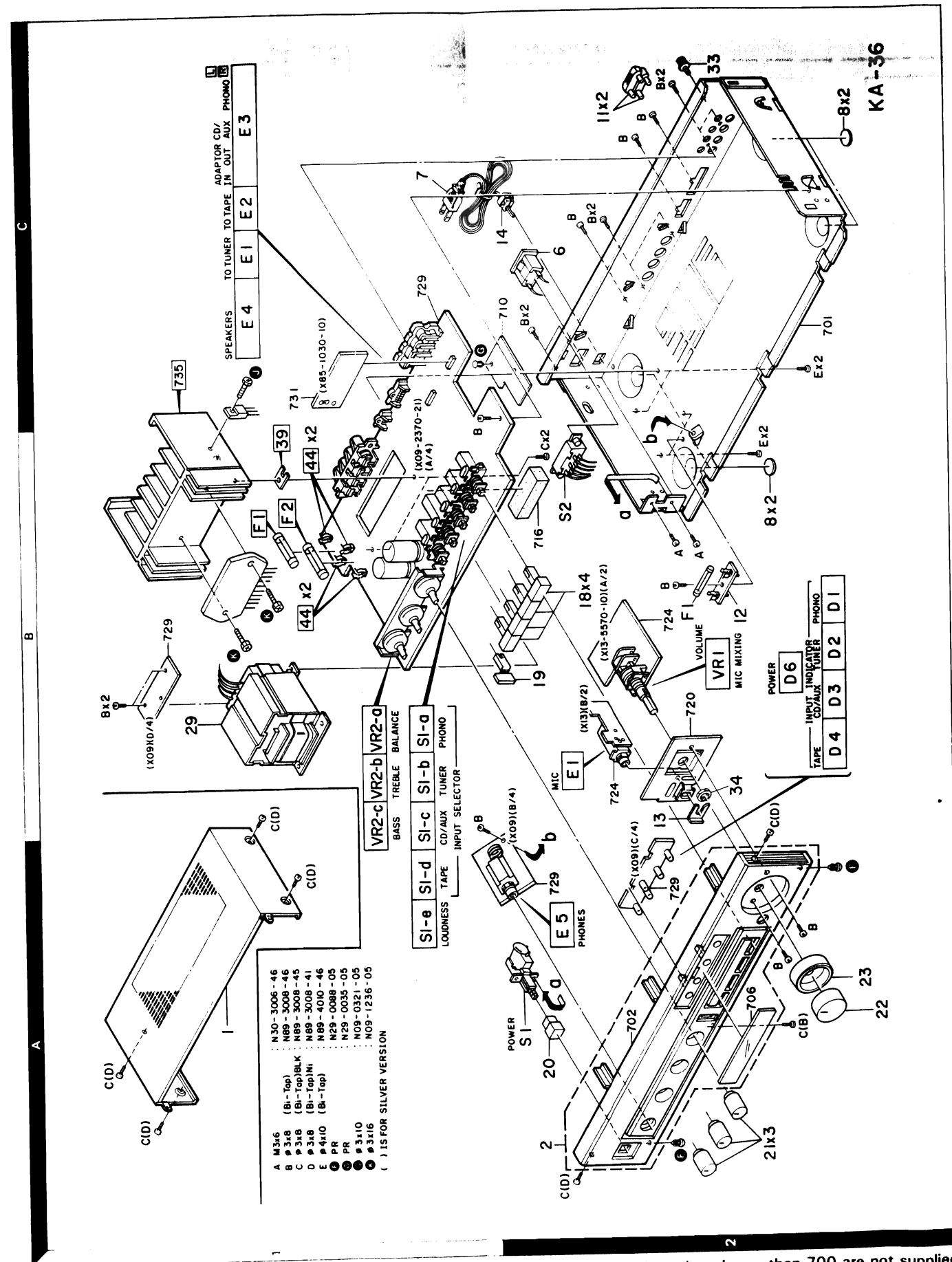
Les tensions c.c. doivent être mesurées avec un voltmètre à haute impédance. Les valeurs peuvent différer légèrement du fait des variations inhérentes aux appareils et aux instruments de mesure individuels.

CAUTION: For continued safety, replace safety critical components only with manufacturer's recommended parts (refer to parts list). Indicates safety critical components. To reduce the risk of electric shock, leakage-current or resistance measurements shall be carried out (exposed parts are acceptably insulated from the supply circuit) before the appliance is returned to the customer.



KA-36 KA-36

EXPLODED VIEW



PARTS LIST

× New Parts
Parts without Parts No. are not supplied.
Les articles non mentionnés dans le Parts No. ne sont pas fournis.
Teile ohne Parts No. werden nicht geliefert.

Ref. No. 参照番号	Address 位置	New Parts 新	Parts No. 部品番号	Description 部品名/規格	Desti- nation 仕向	Re- marks 備考
KA-36						
1	1A		A01-1394-01	METALLIC CABINET	M	S
1	1A	*	A01-1555-01	METALLIC CABINET	PUUEMX	
1	1A	*	A01-1555-01	METALLIC CABINET	TE	
2	2A	*	A20-5112-02	PANEL ASSY	PUUEMX	
2	2A	*	A20-5112-02	PANEL ASSY	TE	
2	2A	*	A20-5200-02	PANEL ASSY	M	S
			B46-0094-03	WARRANTY CARD	UUE	
			B46-0095-03	WARRANTY CARD	UUE	
			B46-0096-13	WARRANTY CARD	X	
			B46-0121-03	WARRANTY CARD	P	
			B46-0122-13	WARRANTY CARD	E	
			B46-0143-03	WARRANTY CARD	T	
		*	B50-6665-00	INSTRUCTION MANUAL (ENGLISH)	PMXEM	
		*	B50-6666-00	INSTRUCTION MANUAL (FRENCH)	M	
		*	B50-6667-00	INSTRUCTION MANUAL (SPANISH)	M	
		*	B50-6668-00	INSTRUCTION MANUAL (ARABIC)	M	
		*	B50-6670-00	INSTRUCTION MANUAL (G.D.I.S.)	E	
			B58-0223-04	CAUTION CARD (PRE-SET 120V)	U	
			B58-0513-04	CAUTION CARD (PRESET220-240)	UUE	
			B59-0092-00	SERVICE DIRECTORY	UUE	
Δ	C1		C91-0023-05	CERAMIC 0.01UF AC250V	UUEM	
Δ	C1		C91-0647-05	CERAMIC 0.01UF P	PXTE	
Δ	6		E03-0036-05	AC OUTLET	UUEM	
Δ	6		E03-0041-05	AC OUTLET	P	
Δ	7		E30-0459-05	AC POWER CORD	E	
Δ	7		E30-0812-05	AC POWER CORD	UUEM	
Δ	7		E30-0974-05	AC POWER CORD	P	
Δ	7		E30-1341-05	AC POWER CORD	X	
Δ	7		E30-1416-05	AC POWER CORD	T	
Δ	F1		F06-1022-05	FUSE (SEMKO) (250V T1A)	XE	
Δ	8		G10-0086-04	NON-WOVEN FABRIC (FOOT)		
		*	H01-7486-04	ITEM CARTON CASE	PUUEMX	
		*	H01-7486-04	ITEM CARTON CASE	TE	
		*	H01-7488-04	ITEM CARTON CASE	M	
			H10-3315-02	POLYSTYRENE FOAMED FIXTURE		
			H10-3316-02	POLYSTYRENE FOAMED FIXTURE		
			H12-1136-04	CARTON BOARD		
			H25-0223-04	PROTECTION BAG (750X350XD.03)		
			H25-0232-04	PROTECTION BAG (235X350XD.03)		
Δ	11		J12-0094-05	PIN		
Δ	12		J13-0053-05	FUSE HOLDER	XE	
Δ	13		J21-3326-05	JACK MOUNTING HARDWARE		
Δ	14		J42-0083-05	POWER CORD BUSHING		
	18		K27-1421-04	KNØB (BUTTON) INPUT SELECTOR		
	19		K27-1422-04	KNØB (BUTTON) LOUDNESS		
	20		K29-1446-04	KNØB ASSY (BUTTON) POWER	M	
	20		K29-2001-04	KNØB ASSY (BUTTON) POWER	PUUEMX	
	20		K29-2001-04	KNØB ASSY (BUTTON) POWER	TE	S
	21		K29-2026-04	KNØB (BASS, TREBLE, BALANCE)	PUUEMX	

E: Scandinavia & Europe K: USA P: Canada
U: PX (Far East, Hawaii) T: England M: Other Areas
UE: AAFES (Europe) X: Australia

S: Silver version only.

Δ indicates safety critical components